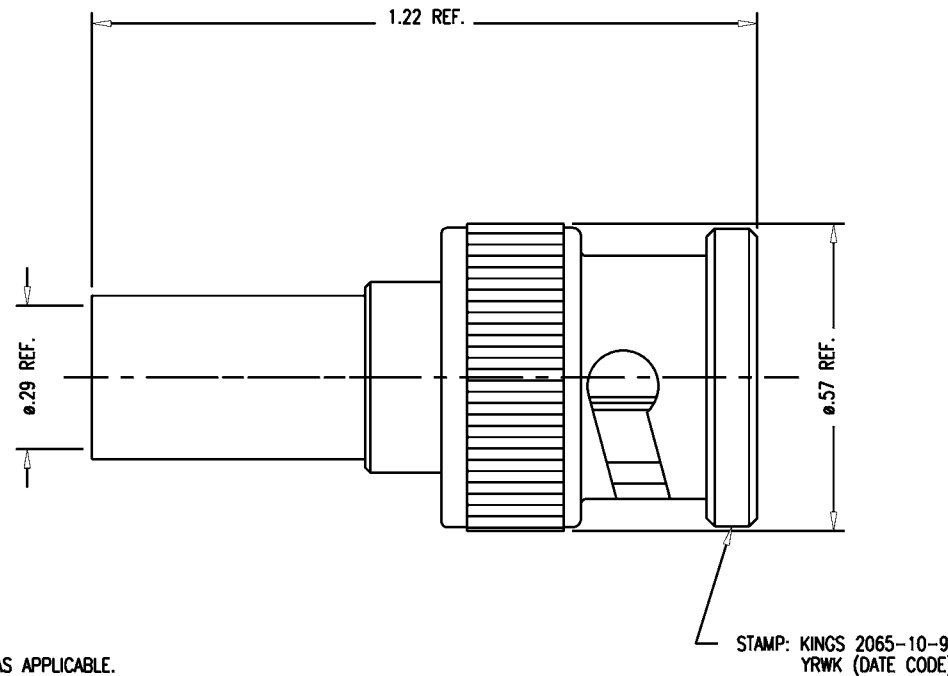


SD



NOTES:

1. FOR USE WITH BELDEN 1694A CABLE.
2. FOR CABLING INSTRUCTIONS SEE 3-661-4
3. FOR CRIMPING USE DIE KTH-2255.
4. INTERFACE PER MIL-STD-348, FIG 301.1, AS APPLICABLE.
5. MATERIALS:
 - INSULATOR-TEFLON, ASTM-D-4894
 - GASKET-SILICONE RUBBER, ZZ-R-765
 - SPRING WASHER } BER. COP., ASTM-B-196
 - OUTER CONTACT }
 - K-GRIP SLEEVE-COMMERCIAL BRONZE, ASTM-B-135
 - ALL OTHER METAL PARTS-BRASS, ASTM-B16
6. FINISHES:
 - CENTER CONTACTS-GOLD PLATE PER MIL-G-45204
 - SPRING WASHER-SILVER PLATE PER QQ-S-365
 - ALL OTHER METAL PARTS-KINGS TARNISH RESISTANT NICKEL FINISH (TR-5)
7. ELECTRICAL CHARACTERISTICS:
 - NOMINAL IMPEDANCE: 75 OHMS
 - WORKING VOLTAGE: 500 VRMS
 - FREQUENCY RANGE: DC TO 3 GHz
8. MARK PACKAGE: KINGS 2065-10-9

STAMP: KINGS 2065-10-9
YRWK (DATE CODE)

SD

2065-10-9 SD

REVISIONS			
ISSUE	CHANGES		
0	ER 37747 DCT 12/18/98		
1	CN 37837 C TML 05/21/99		
2	CN 37933 D TML 11/09/99		
3	CN 38011 D HVN 05/23/00		
4	CN 38027 E TML 07/07/00		
5	CN 38495 E TML 02/01/02		
6	CN 38637 E TML 08/22/02		
2065109S			
SCALE 4:1			
APPROX SURFACE AREA			
WAS: E-19649			
USED ON			
REF:			
PL, 75 BNC			
DRAWN	MRM	DATE	04/15/98
DESIGN	LI	DATE	04/15/98
APPR.		DATE	
KINGS ELECTRONICS CO., INC. ROCK HILL, SOUTH CAROLINA 29730			
2065-10-9			